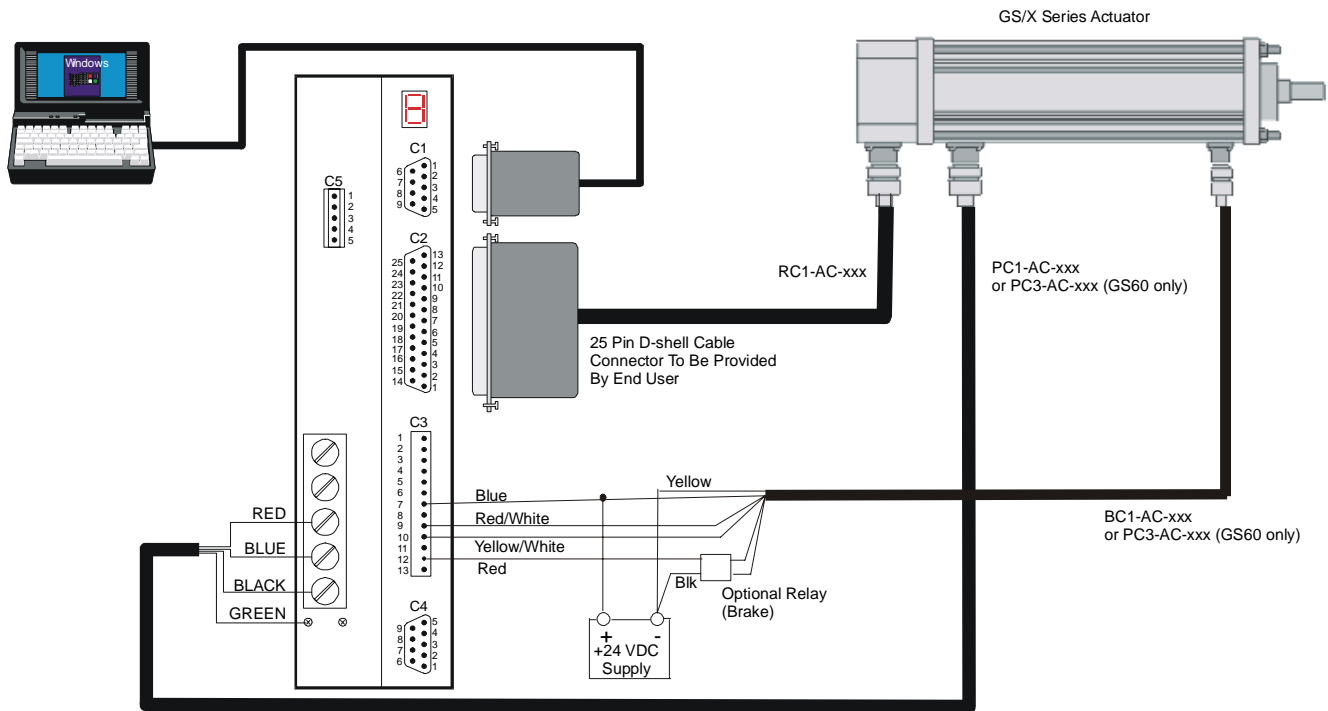


7.4a Kollmorgen SERVOSTAR Drive with GS/X Series Actuator (O Connector Option)

SYSTEM OVERVIEW



Motor Cable PC1-AC-XXX			
Exlar Connector	Wire Color	Function	SERVOSTAR Connector
A	Red	Phase A	Ma
B	Black	Phase C	Mc
C	Blue	Phase B	Mb
D	Green	GND	⊕
E			

Resolver Cable RC1-AC-XXX			
Exlar Connector	Wire Color	Function	C2 Connector
A	-	-	-
B	-	-	-
C	-	-	-
D	Bare	Shield	3, 6, 14
E	Red/White	Ref Hi (R1)	16
F	Black	Cos Lo (S4)	5
G	Blue	Sine Lo (S3)	1
H	Red	Cos Hi (S2)	4
J	-	-	-
K	-	-	-
L	-	-	-
M	-	-	-
N	Blue/White	Thermostat	13
P	-	-	-
R	Yellow/White	Ref Lo (R2)	15
S	Yellow	Sine Hi (S1)	2
T	-	-	-
U	Black/White	Thermostat	25
Case	-	Shield	-

Brake and Limit Switch Cable BC1-AC-XXX			
Exlar Connector	Wire Color	Function	C3 Connector
A	Blue	+24 VDC	7
B	Yellow	24V GND	
C	Red/White	Lim Sw +	9
D	Yellow/White	Lim Sw -	10
E			
F	Black	24V GND	
G	Red	Brake +	12