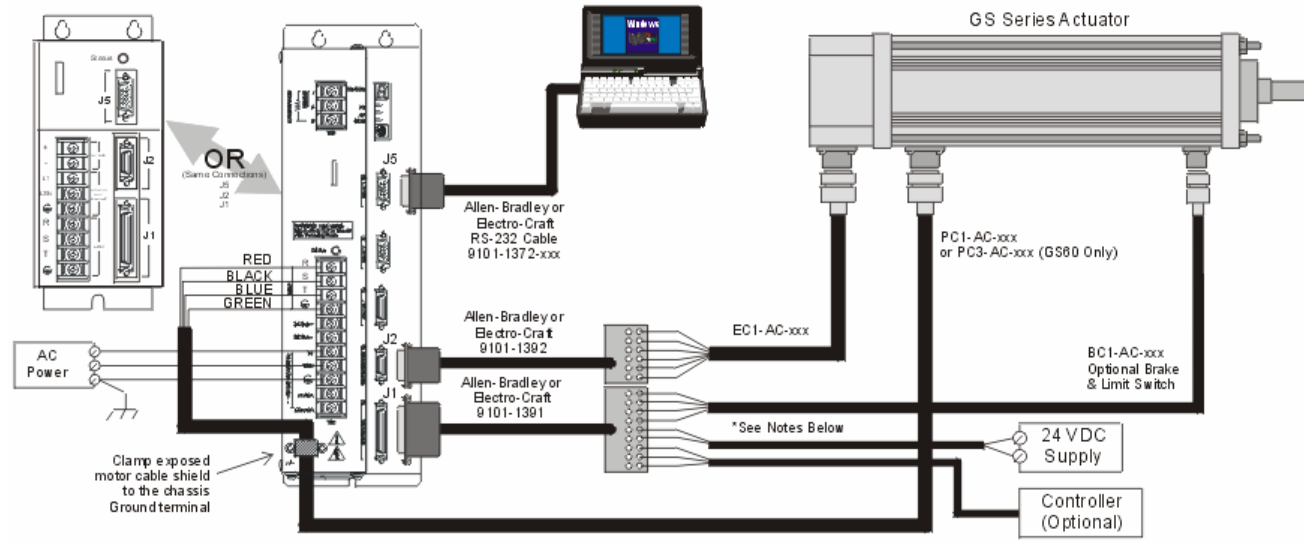


# 7.3a A-B/Electro-Craft Drive with Exlar GS/X Series Actuators (O Connector Option)

## SYSTEM OVERVIEW



Motor Cable PC1-AC-XXX			
Exlar Connector	Wire Color	Function	DDM-XXX Connector
A	Red	R Phase	R
B	Black	S Phase	S
C	Blue	T Phase	T
D	Green	GND	⊕

Brake and Limit Switch Cable BC1-AC-XXX			
Exlar Connector	Wire Color	Function	J1 Connector
A	Blue	+24 VDC	5
B	Yellow	24V GND	6
C	Red/White	Lim Sw +	32, 33 or 34
D	Yellow/White	Lim Sw -	32, 33 or 34
E			
F	Black	24V GND	6
G	Red	Brake -	50
		+ 24VDC	49

NOTES: (1) +24VDC supply is connected to J1, pin 5 and pin 50.  
 (2) 24V COM supply is connected to J1, pin 6.  
 (3) J1 pins 32, 33, and 34 are programmable by user.  
 (4) The GS travel limits are current sinking. Drive inputs are current sourcing requiring a 2.2k Ohm ¼ Watt pull-up resistor to the input power supply + for correct operation. The drives travel limits are set to "Active Off" for correct operation.

Encoder Cable EC1-AC-XXX			
Exlar Connector	Wire Color	Function	J2 Connector
T	Red	EPWR	1
J	Black	ECOM	2
G	Green	A(+)	7
H	Green/Black	A(-)	8
S	Blue/Black	B(+)	9
F	Blue	B(-)	10
E	Orange	I(+)	11
R	Orange/Black	I(-)	12
U	Blue/White	Hall A	13
K	Black/White	Hall B	14
M	Red/White	Hall C	15
	No Connection	ABS	16
L	Black/Red	Therm Sw +	19
N	White/Red	Therm Sw -	20