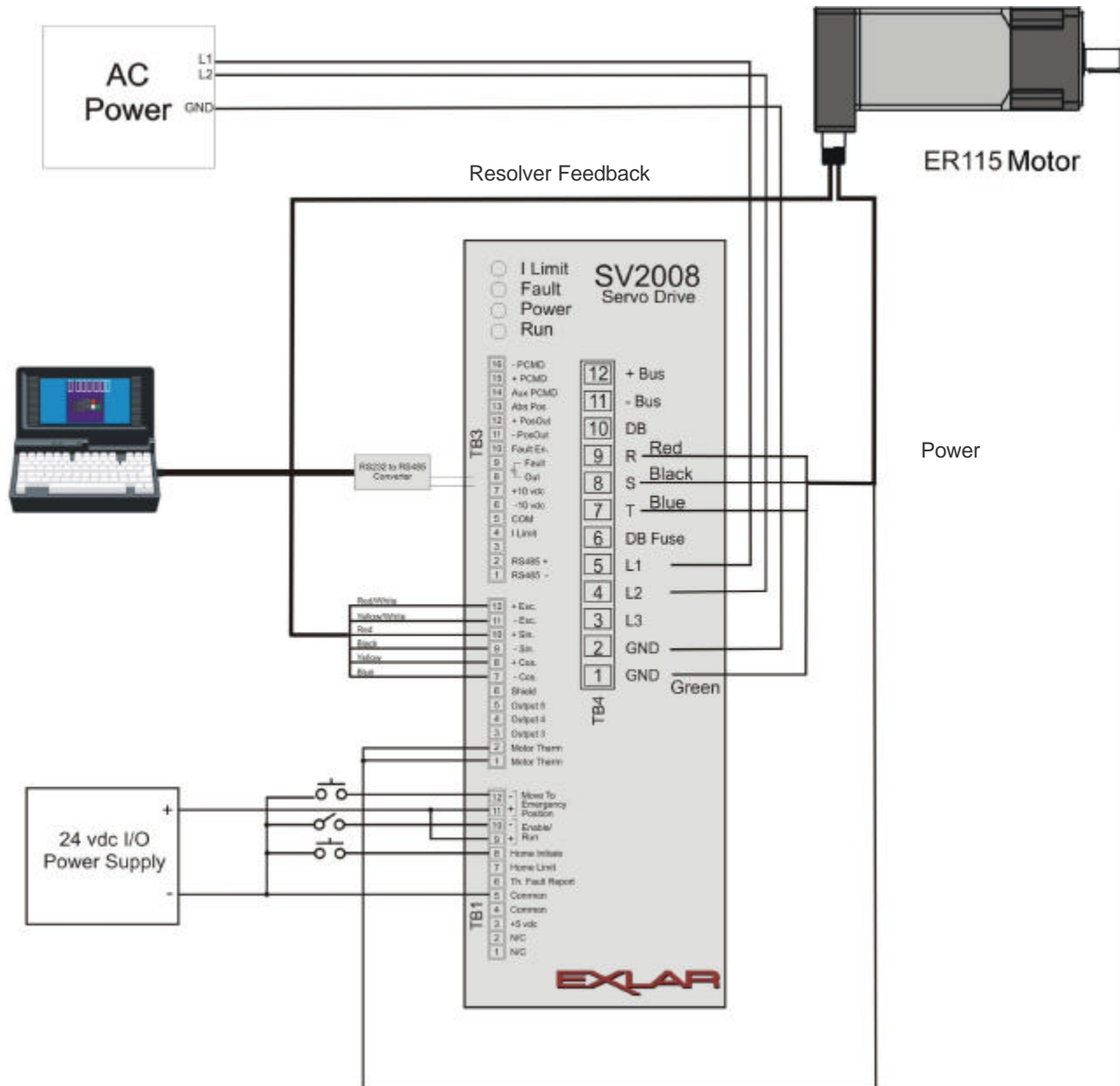


# 6.0 SYSTEM INSTALLATION

## DRIVE SET-UP WITH ER SERIES MOTORS

This section provides you with cable and wiring information for operation of your ER Series motor with Exlar's SV Series Digital Positioner. (NOTE: If you use a different amplifier, contact Exlar for assistance.)

### 6.1 Exlar ER115 with SV Series Positioner



**FOR DETAILED SETUP INSTRUCTIONS SEE THE SV SERIES INSTALLATION AND CONFIGURATION MANUAL.**