

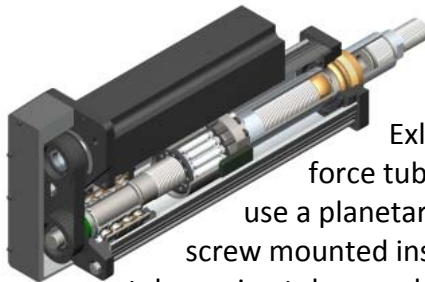
Thermoforming – Greater Control with Electric Retrofit

More Precision, Less Waste

You can gain greater control of the scissors toggle of your thermoforming machines by replacing your hydraulic or pneumatic motion with servo electric actuation.

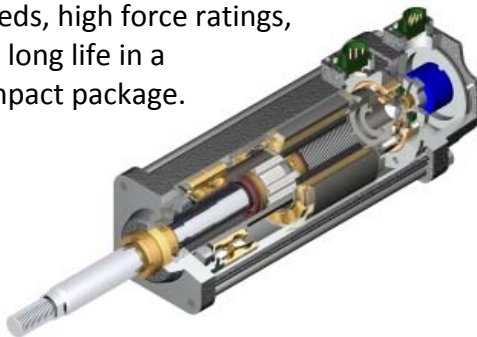
Accurate platen control results in more precise draws and less wasted material. Servo control of the opening and closing of platens via actuator extension and retraction allows higher cycle rates without sacrificing product quality.

Exlar Products

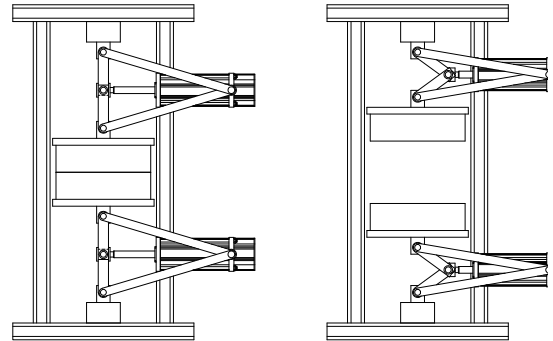


Exlar's FT Series force tube actuators use a planetary roller screw mounted inside a telescoping tube mechanism. An external motor supplied by Exlar or the customer provides the rotational force. FT Series actuators offer up to 8 foot stroke length and 40,000 lb force.

Exlar GSX Series, an integrated servo motor and linear actuator, offers high speeds, high force ratings, and long life in a compact package.



GSX Series linear actuators offer stroke lengths to 24 inches and 25,000 lb force.



The Benefits of Electric Actuators

- Increased cycle rates with the high speed capability of Exlar's linear actuators - speeds as high as 30 cycles per minute
- Long life in high-force, continuous duty operating environment
- Longer equipment life with servo control of platen acceleration and deceleration profiles
- Smaller footprint than many hydraulic or pneumatic systems.

Optimize your thermoforming application!
Contact us at 952-500-6200 or email info@exlar.com to discuss your application.
You may also visit www.exlar.com to locate the sales rep nearest you.