

All-Electric Core Pull Cylinders

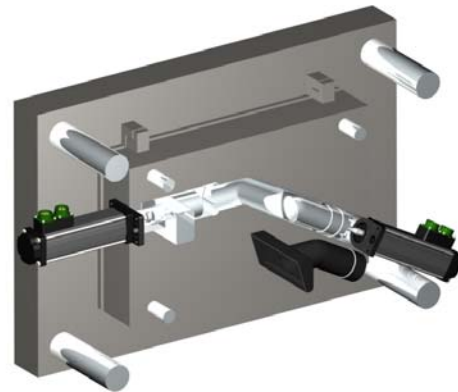
Simple Hydraulic Replacement

The hot topic with injection molders is all-electric core pulls. It's an easy retrofit, just replace your hydraulic cylinder with an Exlar electric actuator! The flexibility of the servo system allows the use of the existing hydraulic control switches for a near drop-in replacement. Additionally, servo systems eliminate lengthy start-ups and high maintenance, minimize cycle time and improve throughput!

Exlar Solution

Exlar offers several families of all electric, servo linear actuators designed to fit and mount in the same space as hydraulic cylinders. Choose from GSX Series, GSM Series, or FT Series actuators, depending on your application. The combination of speed and force will meet or exceed your performance expectations.

Exlar actuators are also perfectly suited for other applications within the plastics industry: toggle actuators, assist cylinders, blow pin cylinders, mold transfer actuators, clamp and locking cylinders, plus many more!



Electric Core Pull Cylinder

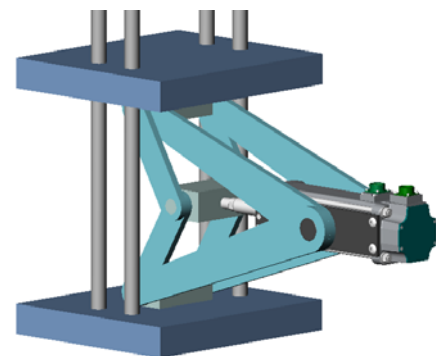


Exlar FT Series Actuator

Exlar GSX Series Actuator

Exlar's cylinder design uses a proprietary planetary roller screw, which can offer 15 times the life of a ball screw, is compact and allows the actuator to be completely sealed.

- GSX Series forces to 25,000 pounds, FT Series to 40,000 lbs
- Frame Sizes: 2 to 7 inches
- Stroke lengths: 3 to 18 inches GSX Series and up to 8 feet, FT Series
- Mounting: Standard cylinder mounting styles
- Allows higher operating temperature than typical servo motors.



Electric Toggle Actuators

Call us Today!

Contact us at 952-500-6200 or email info@exlar.com to discuss your application. You may also visit www.exlar.com to locate the sales rep nearest you.