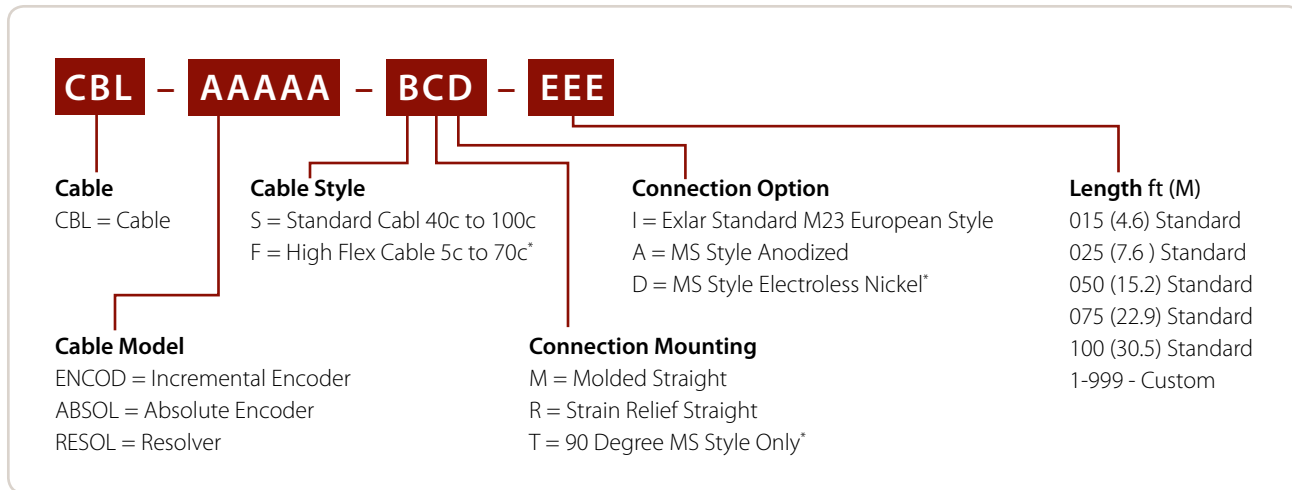
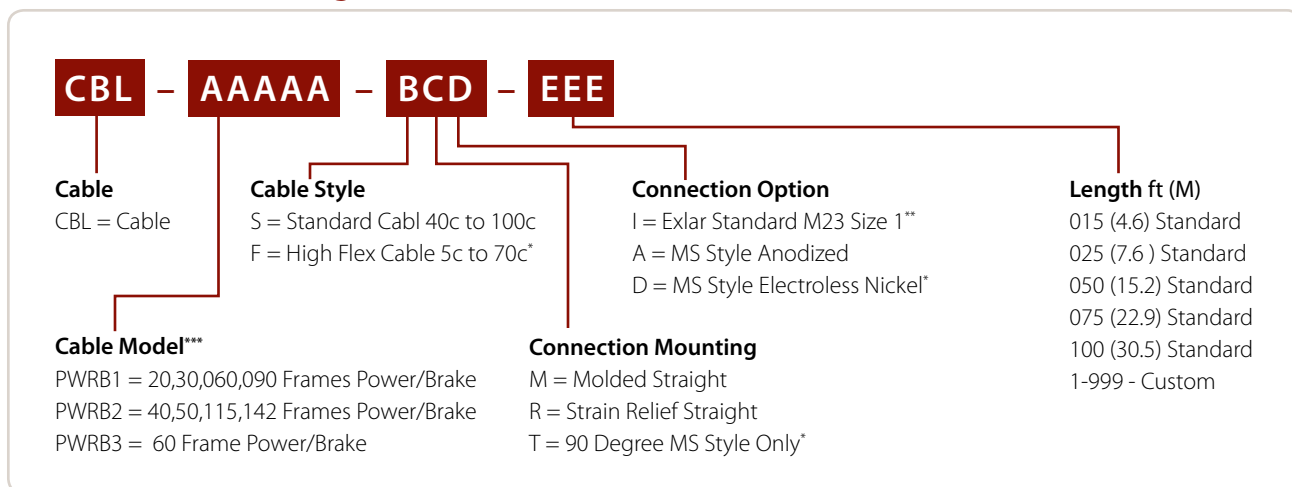


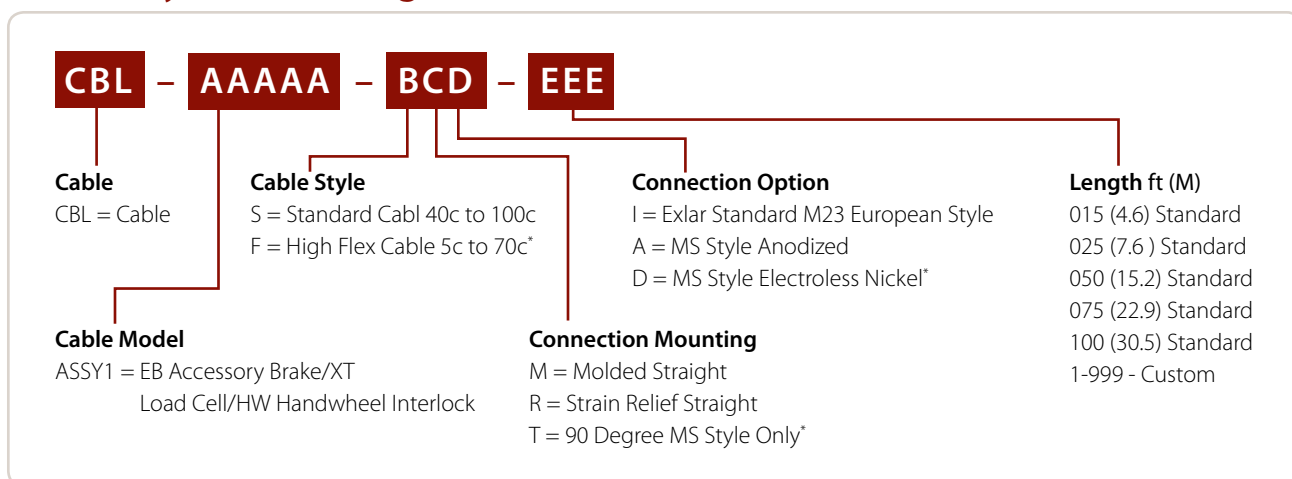
Feedback Cable Configuration - e.g. CBL-ENCOD-SMI-015



Power Cable Configuration - e.g. CBL-PWRB1-SMI-015



Accessory Cable Configuration - e.g. CBL-ASSY1-SMI-015



* Non-standard options – require longer lead times.

** PWRB3 uses M40 size 1.5.

*** Special stator winding may require a special power cable

Manufacturers Feedback Cable Selection Guide

Amplifier/Drive Selected	Feedback Selected	Manufacturers Part Number
Allen-Bradley/Rockwell: Ultra 3000/5000/Kinetix 6000	AB1 AB5/AB6/AB7/ABA AB8/AB9/ABB	2090-UXNFBHF-Sxx 2090-UXNFBMP-Sxx 2090-XXNFMF-Sxx (Drive side flying leads)
AMKASYN: All Drives	AK1/AK2	DS Series Absolute Encoder Cable
Beckhoff: All Drives	BE1	ZK4000-26yy-2zzz
B&R Automation: All Drives	BR1 BR2	8CRxxx.12-1 8CExxx.12-1
Emerson/Control Techniques: Unidrive SP/Epsilon EP	CT1/CT3 CT2/EM2/EM5 CT4/CT7 CT5	SSBAP/SSBAHC UFCS SIBAA/SIBAAA SRBAC/SRBABB
En/Epsilon/MDS	CT4/CT7 EM2/EM5	SIBAH/SIBAFA CFCS
Elau: All Drives	EU1/EU4	SH Series Absolute Encoder Cable
G&L Motion Control/Danaher Motion: MMC Smart Drive/ Digital MMC Control	GL1 GL2 GL3 GL4	ENC-H&F ENC-L&M ENC-NSM ENDAT-AKM
Indramat/Bosch-Rexroth: DKC Series/DIAX IndraDrive	IN1 IN5 IN6 IN7	IKS4001 IKS4001 IKS4374 RKG4200
Jetter Technologies: JetMove 2xx JetMove 6xx	JT1 JT1	JH/JL Series Resolver Cable Nr. 23 JH/JL Series Resolver Cable Nr. 423
Kollmorgen/Danaher: All Drives	KM4 KM5 KM6	AKM Series Absolute Encoder Cable AKM Series Resolver Cable AKM Series Incremental Encoder Cable
Lenze/AC Tech: All Drives	LZ1 LZ5 LZ6	MCS Series Absolute Encoder Cable MCS Series Resolver Cable MCS Series Incremental Encoder Cable
Mitsubishi: MR-J3	MT1	MR-J3ENSCBLxxM-H
Momentum: All Drives	MN1 MN2 MN3 MN4	SC-AE1-xxx SC-AE2-xxx SC-IE1-xxx SC-RS1-xxx
Ormec: All Drives	OR2	Consult Exlar
Parker Compumotor: All Drives	PC6 PC7 PC8 PC9/ PCØ	SMH Series Incremental Encoder Cable SMH Series Resolver Cable COMPAX3 F-2C1-xx or Aries F-1A1-xx F-2B1-xx
Pacific Scientific: All Drives	PS3	CEF-RO-XXX-900X
Stober Drives: FDS/MDS 5000	SB3	Stober Absolute Encoder Cable
Siemens: 611U/Masterdrives/SMC20	SM2 SM3/SM4 SM5	6FX5002-2CF02-.... 6FX5002-2EQ10-.... 6FX5002-2CA31-....
SEW/Eurodrive: All Drives	SW1 SW3	CM Series Resolver Cable CM Series Absolute Encoder Cable
Yaskawa: Sigma II Series	YS2/YS3	JZSP-CMP02-XX(B)

Manufacturers Power/Brake Cables

Models:		GSM/GSX20, GSM/GSX30, SLM/SLG060, SLM/SLG090		
Amplifier/Drive Selected	Feedback Selected	Power only 4 wire	Power + Brake/Therm	Brake Cable
Allen-Bradley/Rockwell: Ultra 3000/5000/Kinetix 6000	AB1 AB5/AB6/AB7/ABA AB8/AB9/ABB	N/A 2090-XXNPMP-16Sxx N/A	Exlar CBL-PWRB1-xxA-xxx N/A 2090-XXNPMP-16Sxx	Exlar CBL-ASSY1-xxA-xxx 2090-UXNBMP-18Sxx N/A
AMKASYN: All Drives	AK1/AK2	N/A	DS Series Power Cable Size 1	N/A
Beckhoff: All Drives	BE1	N/A	ZK4000-2xx1-2xxxx	N/A
B&R Automation: All Drives	BR1/BR2	N/A	8CMxxx.12-1	N/A
Emerson/Control Techniques: All Drives	CT1/CT3/CT4/CT5/CT7 CT2/EM2/EM5	PSBxA CMD5	PBBxA N/A	N/A CBMS
Elau: All Drives	EU1/EU4	N/A	E-MO-111	N/A
G&L Motion Control/ Danaher Motion: MMC Smart Drive/ Digital MMC Control	GL1 GL2 GL3 GL4	PWR-H&F...16AA N/A PWR-NSM...16AA N/A	N/A PWR-L&M...16-64 N/A PWR-AKM...16-64	Exlar CBL-ASSY1-xxA-xxx N/A Exlar CBL-ASSY1-xxA-xxx N/A
Indramat/Bosch-Rexroth: DKC Series/DIAX IndraDrive	IN1/IN5/IN6 IN7	N/A N/A	MKD/MHD Power Cable Size 1 MSK Power Cable Size 1	N/A N/A
Jetter Technologies: All Drives	JT1	N/A	JH/JL Power Cable Size 1 #24.1	N/A
Kollmorgen/Danaher: All Drives	KM4/KM5/KM6	N/A	AKM Power Cable Size 1	N/A
Lenze/AC Tech: All Drives	LZ1/LZ5/LZ6	N/A	MCS Power Cable Size 1	N/A
Mitsubishi: MR-J3	MT1	MR-J3P2-xM	N/A	MR-J3BRK51-xM
Momentum: All Drives	MN1/MN2/MN3/MN4	PCBL1.5-MNT-xxx	PCBL1.5-MNB-xxx	N/A
Ormec: All Drives	OR2		Consult Exlar	
Parker Compumotor: All Drives	PC6/PC7 PC8/PC9/PC0	N/A N/A	SMH Power Cable Size 1 P-3B1-xx	N/A N/A
Pacific Scientific: All Drives	PS3	N/A	PMA Power Cable Size 1	N/A
Stober Drives: FDS/MDS 5000	SB3	N/A	Stober Power Cable Size 1	N/A
Siemens: All Drives with flying leads	SM2/SM3/SM4/SM5		6FX5002-5DA01-....	N/A
SEW/Eurodrive: All Drives	SW1/SW3	N/A	CM Power Cable Size 1	N/A
Yaskawa: Sigma II Series	YS2 YS3	N/A B1E-xxA	N/A B1BE-xxA	N/A N/A

GSM/GSX40, GSX50, SLM/SLG115, SLM142			GSX60		
Power only 4 wire	Power + Brake/Therm	Brake Cable	Power only 4 wire	Power + Brake/Therm	Brake Cable
N/A 2090-UXNPMP-14Sxx N/A	Exlar CBL-PWRB2-xxA-xxx N/A 2090-XXNPMF-14Sxx	Exlar CBL-ASSY1-xxA-xxx 2090-UXNBMP-18Sxx N/A	N/A 2090-UXNPMP-10Sxx N/A	Exlar CBL-PWRB3-xxA-xxx N/A Exlar CBL-PWRB3-xxl-xxx	N/A 2090-UXNBMP-18Sxx N/A
N/A	DS Series Power Cable Size 1	N/A	N/A	DS Series Power Cable Size 1.5	N/A
N/A	ZK4000-2xx1-2xxxx	N/A	N/A	Exlar CBL-PWRB3-xxl-xxx	N/A
N/A	8CMxxx.12-3	N/A	N/A	8CMxxx.12-5	N/A
PSBxA CMMS	PBBxA N/A	N/A CBMS	PSBxB CMLS	PBBxB N/A	N/A CBMS
N/A	E-MO-112	N/A	N/A	E-MO-114	N/A
PWR-H&F...14-AA N/A N/A N/A	N/A PWR-L&M...14-6H N/A PWR-AKM...14-6H	Exlar CBL-ASSY1-xxA-xxx N/A N/A N/A	PWR-H&F...10-AA N/A N/A N/A	N/A PWR-L&M...12-6H N/A PWR-AKM...12-6H	Exlar CBL-ASSY1-xxA-xxx N/A N/A N/A
N/A N/A	MKD/MHD Power Cable Size 1 MSK Power Cable Size 1	N/A N/A	N/A N/A	MKD/MHD Power Cable Size 1.5 MSK Power Cable Size 1.5	N/A N/A
N/A	JH/JL Power Cable Size 1 #24.1	N/A	N/A	Exlar CBL-PWRB3-xxl-xxx	N/A
N/A	AKM Power Cable Size 1	N/A	N/A	AKM Power Cable Size 1.5	N/A
N/A	MCS Power Cable Size 1	N/A	N/A	MCS Power Cable Size 1.5	N/A
MR-J3P6-xM	N/A	MR-J3BRKS1-xM	MR-J3P7-xM	N/A	MR-J3BRKS1-xM
PCBL2.5-MNT-xxx	PCBL2.5-MNB-xxx	N/A	PCBL4.0-MNT-xxx	PCBL4.0-MNB-xxx	N/A
	Consult Exlar			Consult Exlar	
N/A N/A	SMH Power Cable Size 1 P-4B1-xx	N/A N/A	N/A N/A	SMH Power Cable Size 1.5 P-6B2-xx	N/A N/A
N/A	PMA Power Cable Size 1	N/A	N/A	Exlar CBL-PWRB3-xxl-xxx	N/A
N/A	Stober Power Cable Size 1	N/A	N/A	Stober Power Cable Size 1.5	N/A
	6FX5002-5DA11-....	N/A		6FX5002-5DA61-....	N/A
N/A	CM Power Cable Size 1	N/A	N/A	SM Power Cable Size 1.5	N/A
B1E-xxA N/A	B1BE-xxA N/A	N/A N/A	B2E-xxA N/A	B2BE-xxA N/A	N/A N/A

(Please note, Euro style connectors are size 1.5 M40 connectors. If Manufacturer does not offer a size 1.5 M40 power cable, an Exlar Power Cable must be purchased.