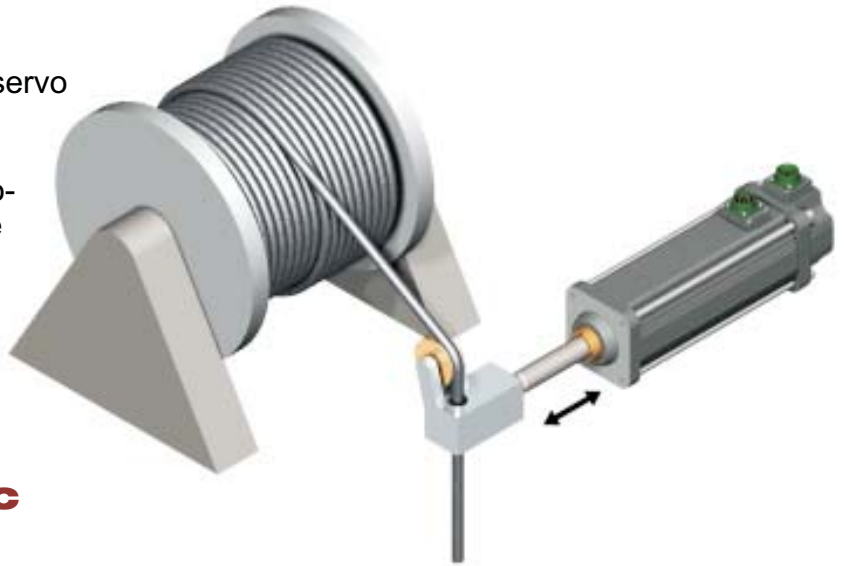


Smooth and Accurate Motion Control

Traverse Winding

The Exlar Advantage

Exlar offers several families of all-electric servo linear actuators for applications requiring flexibility and precision. Matched with nearly any manufacturer's drive, an electro-mechanical servo system provides reliable and sophisticated positioning and velocity control capabilities which will increase the performance output of your winding machines. Set-up is as easy as point and click!



The Benefits of Electric Actuators

Exlar linear actuator solutions can provide several benefits to your winding application.

- The GSX and SR Series actuators offer the most compact package sizes, allowing your traverse winding apparatus to be conveniently sized.
- Smooth and precise motion with high speed capability. The flexibility and power of today's servo controllers provides easy setup and excellent results.
- High force output and rigidity allow your winding application to maintain proper motion even under high tension loads.

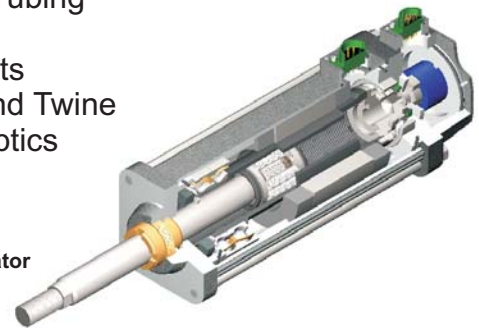
Ideal Ballscrew Replacement

- Planetary roller screw technology offers many times the life of ball screw actuators.
- Exlar actuators offer high forces, high speeds and faster cycle rates.
- Operation with nearly any servo drive.
- Highly accurate positioning for exact wrap patterns and turnaround points.
- Multiple stroke lengths and frame sizes to fit your application.
- A wide variety of mounting styles.

Perfect for Traverse Winding of Many Products

- Wire
- Plastic Tubing
- Cable
- Filaments
- Rope and Twine
- Fiber Optics

GSX Series
Linear Actuator



Call us Today!

Contact us to discuss improving the performance of your winding application. Our applications engineers can be reached at **952-368-3434** or visit www.exlar.com to locate the sales rep nearest you.

EXLAR